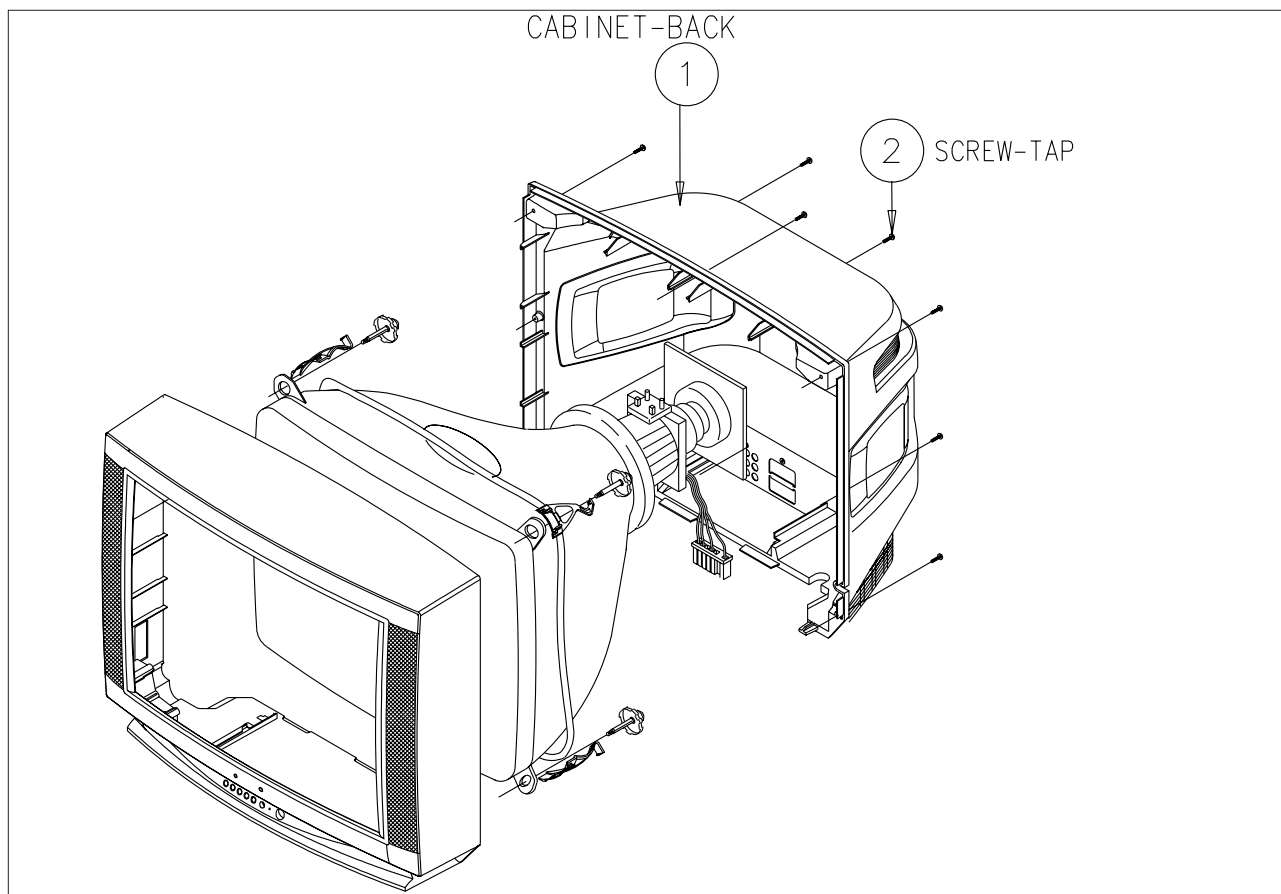


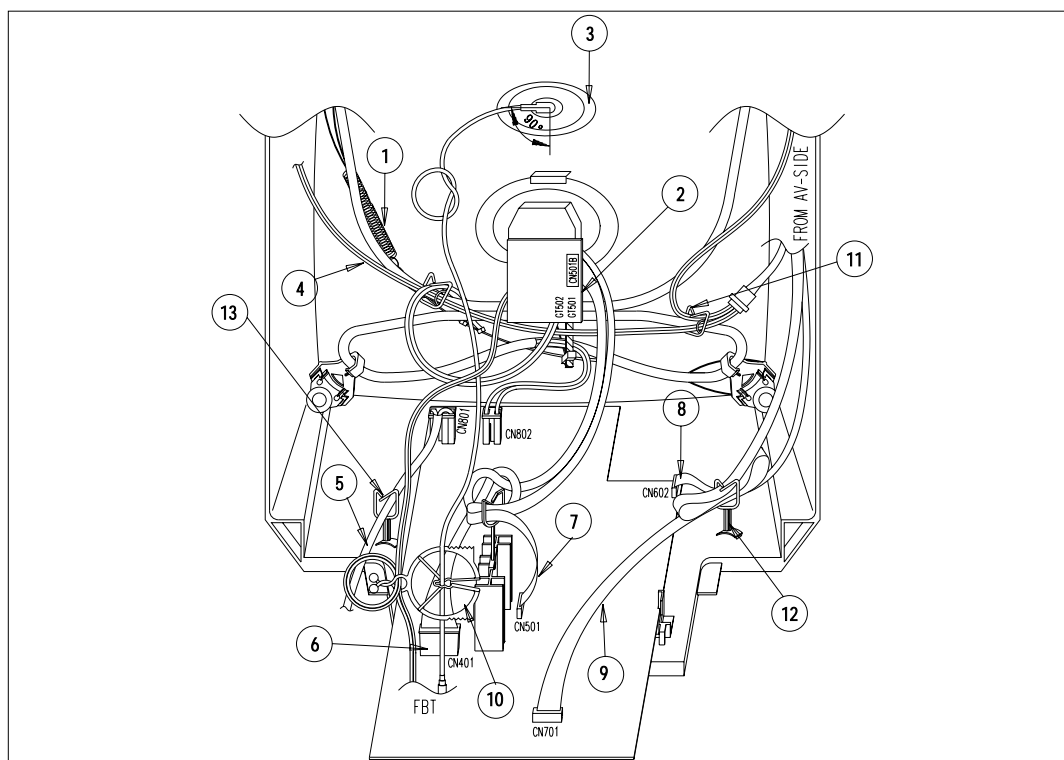
3. Disassembly and Reassembly

3-1 Back Cover Removal



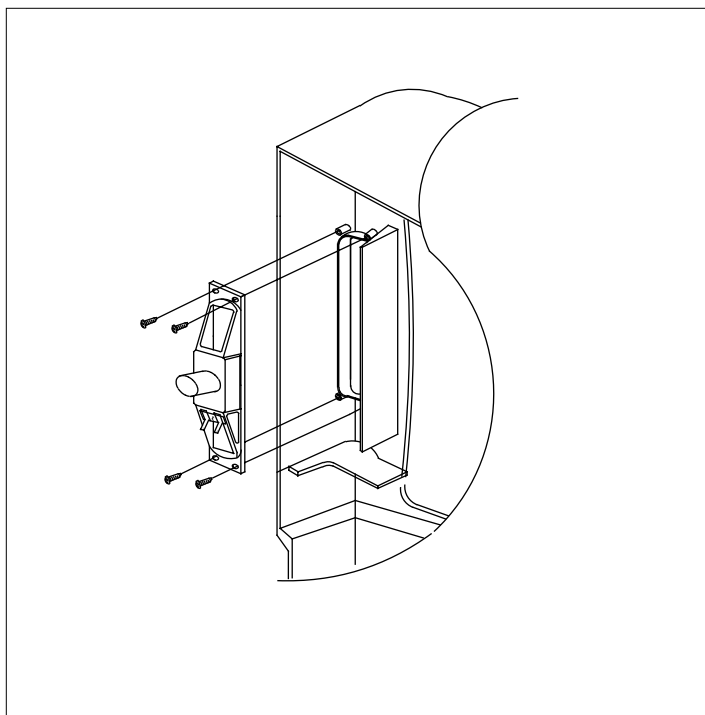
1. After removing the 7 screws, pull the cabinet backwards.

3-2 Main Board Removal

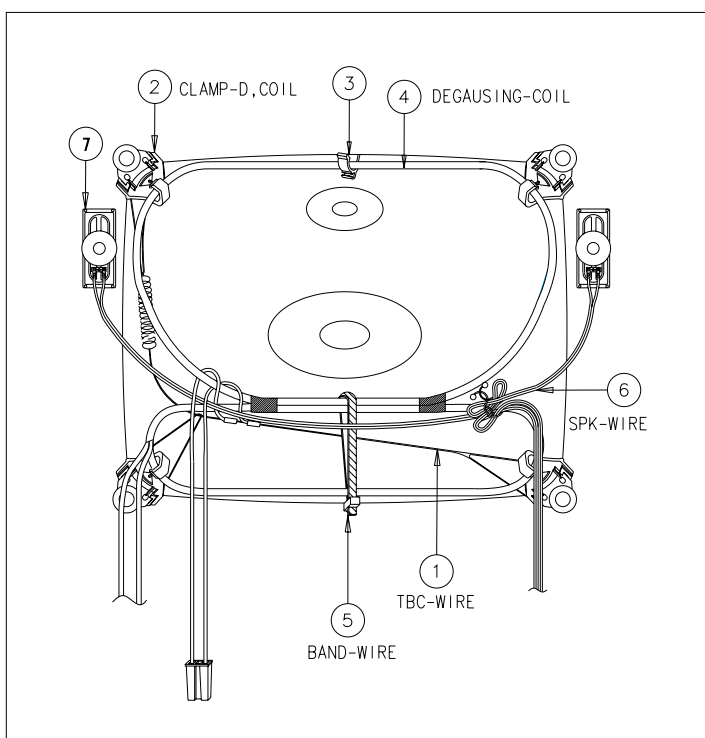


1. Separate the TBC-wire 2P connector from GT501,GT502.
2. Separate the CRT Assembly from the CRT socket.
3. Remove the Anode Cap from the CRT.
4. Separate the D-Coil Connector from CN802.
5. Separate the AC cord from CN801.
6. Separate the DC connector from CN401.
7. Separate the CN501B 8P CRT connector from CN501.
8. Separate the CNA05 5P A/V side connector from CN602.
9. Separate the CNA01 8P CRT connector from CN701.
10. Separate the Focus Screen Wire from the FBT clamper.
11. Separate the TBC wire 2P, speaker wires from the wire clamper.
12. Separate the CN701, CN602 connector from the wire clamper.
13. Separate the AC cord from the wire clamper.
14. Remove the main board by pulling it with both hands.

3-3 Speaker Removal

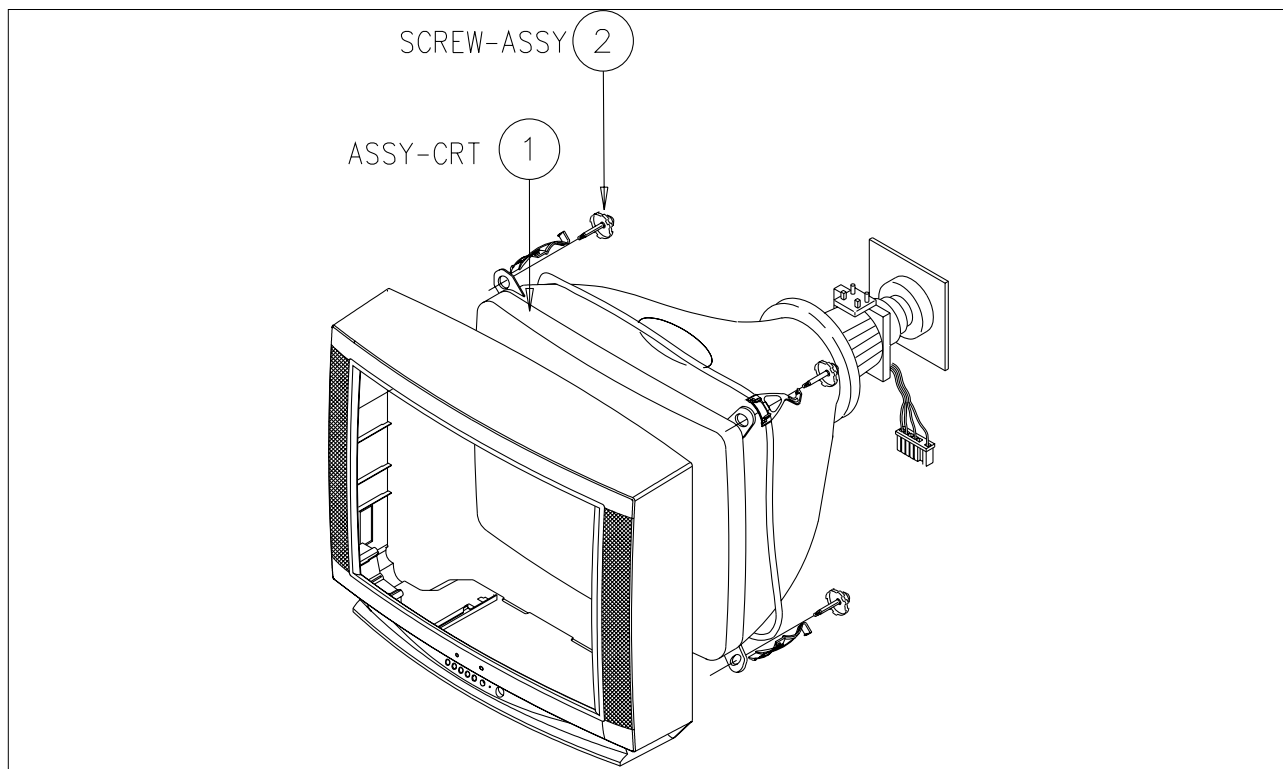


1. Remove the speaker by pressing the tension rib.



1. Separate the speaker wires from D-coil (located on the bottom to the right side).
2. Remove the screws.

3-4 CRT Removal



1. Remove the 4 nuts that mount the CRT to the front cabinet.
Pull the CRT backwards.
2. Caution: Because of the high vacuum and large surface area of the picture tube, be careful while handling it: (1) Always lift the picture tube by grasping it firmly around the faceplate, (2) Never lift the tube by its neck. (3) Do not scratch the picture tube or apply excessive pressure. Fractures of the glass may cause an implosion.